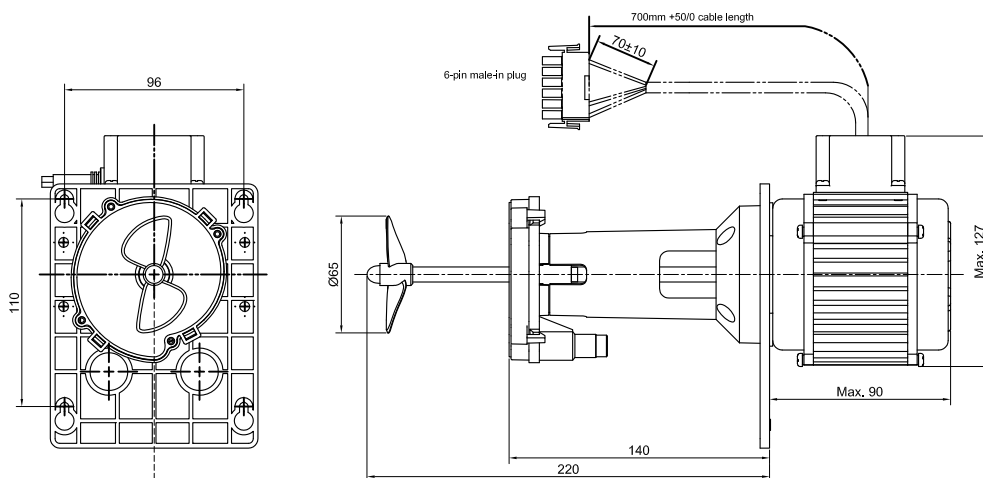


COOLING PUMP

ITG

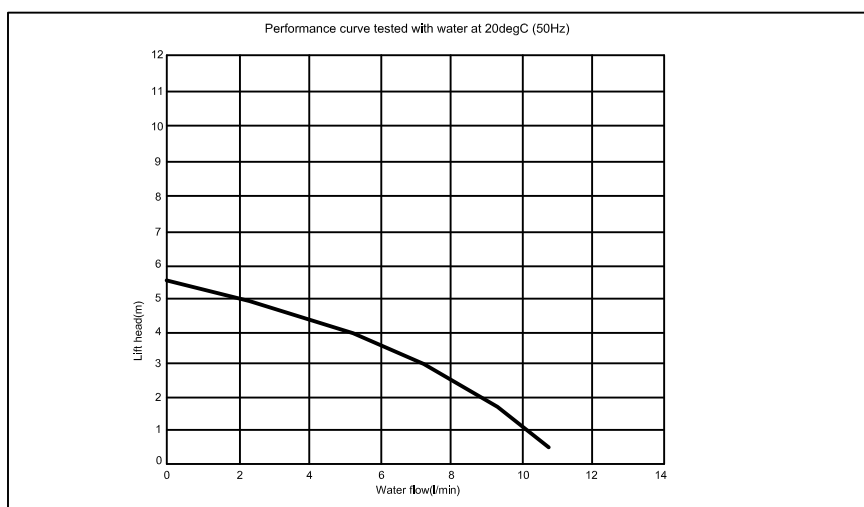
Product dimensions:

All dimensions mm



Notes:

1. Motor shaft: stainless steel AISI303(DIN1.4305)
2. Ball bearing: NSK with special self-lubricant
3. Protection: IP44
4. Safety: Thermally protected
5. Paddle: Ø32mm, Ø63mm
6. Pump: PC, ABS, Nylon etc.



Technical data:

Type	Voltage (V)	Frequency (Hz)	Output power (W)	Speed (rpm)	Max. flow (l/min)	Max head (m)	
ACP-M80S-5M	230	50	35	2750	11.2	5.5	Small mounting plate
ACP-M80B-5M	230	50	35	2750	11.2	5.5	Big mounting plate